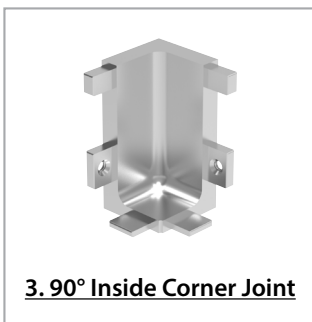
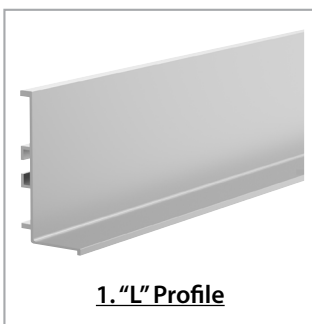
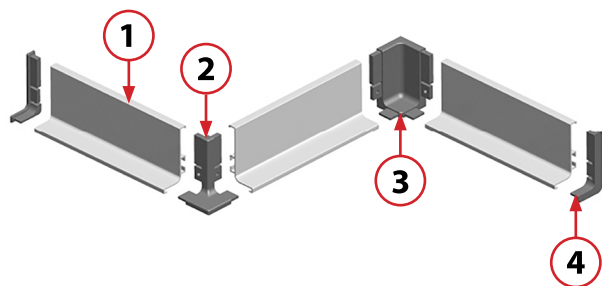


## Gola System - "L" Profile

Installed on the top or bottom edge of the carcass as a cabinet handle system

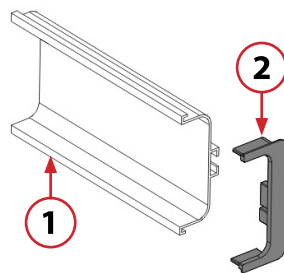
Code	Type	Size (LxWxH)	Finish
283	"L" Profile	3m x 27,5 x 57,5mm	Aluminium
284	"L" End Cover	11 x 27,5 x 58,5mm	Silver / Die Cast
289	90° Inside Corner Joint	38,5 x 38,5 x 57mm	Silver / Die Cast
290	90° Outside Corner Joint	37 x 37 x 57mm	Silver / Die Cast



## Gola System - "U" Profile

Installed midway through carcass as a drawer or cabinet handle system.

Code	Type	Size (LxWxH)	Finish
285	"U" Profile	3m x 27,5 x 73,5mm	Aluminium
286	"U" End Cover	11 x 29 x 76mm	Silver / Die Cast
287	Mounting Bracket	35 x 12 x 35mm	White Zinc



## DIY Installation Guide Gola System



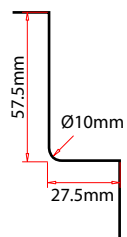
**Gelmar**

# Installation of the Gola System

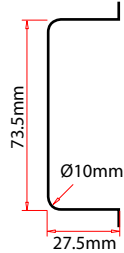
## STEP 1

### Prepare the carcass for installation

Using your End Cover as a template, mark and cut your carcass sides to fit the Profile.



**"L" Profile cutout**



**"U" Profile cutout**

## STEP 2

### Prepare the Profile for installation

1. Measure and cut your Profile to the required lengths.
2. Slide the Mounting Brackets into the track on the back of the Profile.  
Do not tighten the screws on the Mounting Bracket.
4. A Mounting Bracket should be used for every upright on the carcass.



## STEP 3

### Install Corner Joints

1. Place the Profile on the carcass.
2. Put the Corner Joints in place and join the Profiles.
3. Secure the Corner Joints onto the Profile using 8 x 16mm chipboard screws



## STEP 4

### Install Profiles

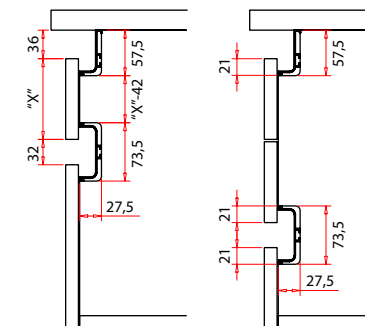
1. Slide the Mounting Brackets into position, flush against the carcass sides.
2. Attach the Mounting Brackets to the carcass using 8 x 16mm chipboard screws
3. Tighten the Mounting brackets onto the Profile.



## STEP 5

### Install End Cover

1. Press End Caps in place on the exposed ends of the profile.



**Recommended space requirements**