

Surface Mounted Roller Shutter Door

STEP 2

Calculate Cutting List

Internal width	W
Internal height	H
Internal depth	D

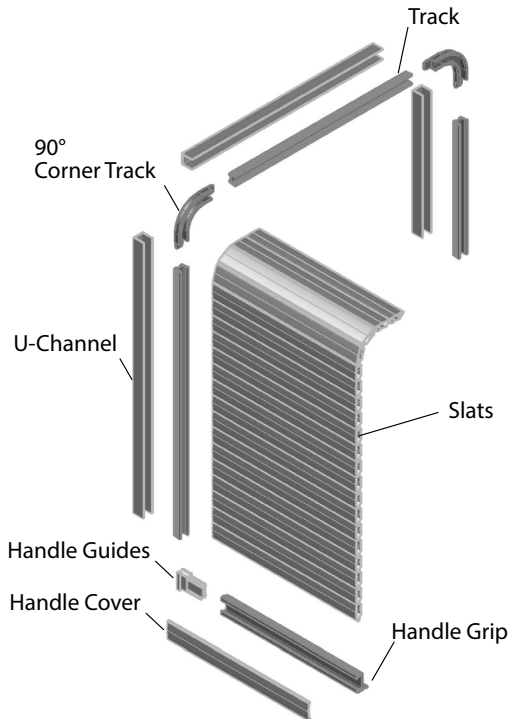
Description	Qty	length mm
U-Channel-Front	2	= H-53
U-Channel-Top	2	= D-106
U-Channel-Rear (min.)	2	= H-D+60
Track-Front	2	= H-68
Track-Top	2	= D-136
Track-Rear	2	= H-D+45
Slats - Qty=(H(mm)/60 +1)	13	=W-26
Handle Grip	1	=W-60
Handle cover	1	=W-35
Handle Guides	2	
Corners	4	

Installation

STEP 3

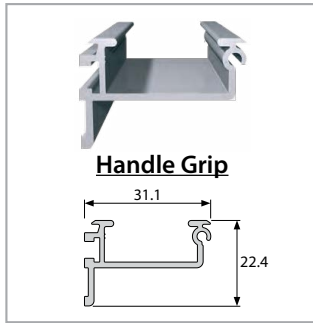
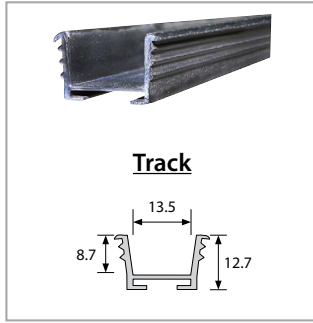
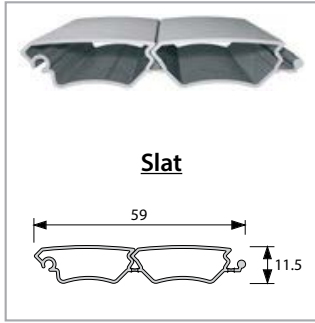
Installing the Roller Shutter

Roller Shutter door with 90° Corner Track



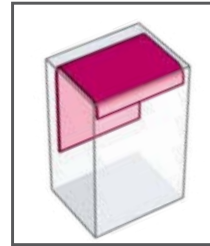
Gelmar

Roller Shutter Fittings



Roller Shutter

Code	Type	L	H	W	Colour	Finish
360	Slat	3m	11.5	59	Silver	Plastic
370	Slat	3m	11.5	59	Black	Plastic
361	Track	3m			Grey	Plastic
371	Track	3m			Black	Plastic
1214	U Channel	2.5m	19.5	19	Silver	Anodised Aluminium
365	Handle Cover	3m		34.4	Silver	Plastic
367	Handle Cover	1m		34.4	Silver	Plastic
374	Handle Cover	1m		34.4	Black	Plastic
364	Handle Grip	3m	22.4	31.1	Silver	Aluminium

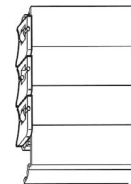
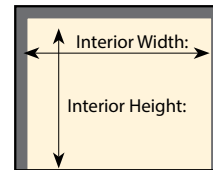


The Surface Mounted Roller Shutter door can run into the back of the cupboard where it is concealed behind a false back

Preparing for Installation

STEP 1

Measure the internal height and width of the cupboard.



Vertical
Sliding direction