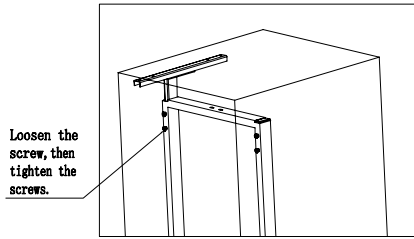


Installation Continued...

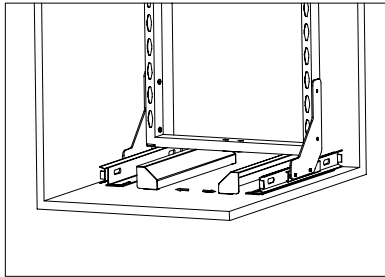
STEP 7

Adjust the L-shaped bracket with the castors, make sure the castors are put into the U-shaped slot completely and tighten the screws with a screw reamer.



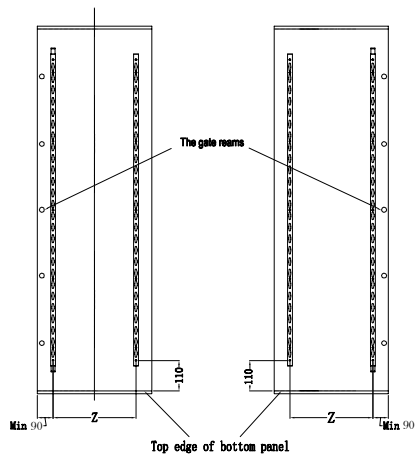
STEP 8

Install the runner protective cover.



STEP 9

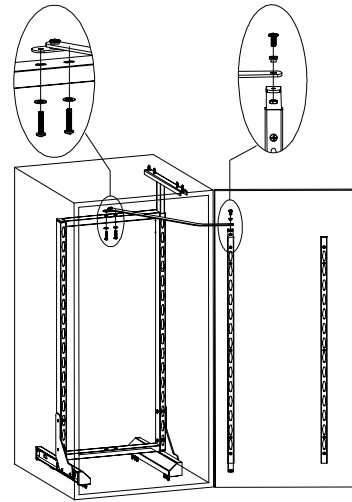
Install panel hangstrip.



Cabinet	Z
450 / 500	315

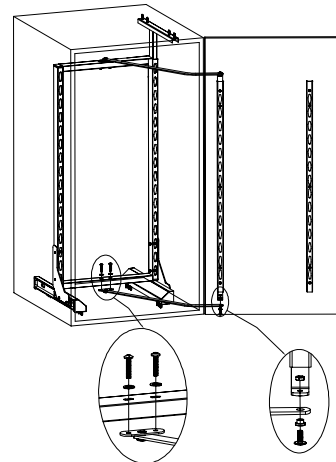
STEP 10

Screw the screws out of the connecting strip, as the sequence revealed in the picture, connect the slip frame and the top of the panel hangstrip with the connecting strip (Attention: The connecting strip has the differentiation from left and right), and tighten the screws.



STEP 11

Screw the screws out of the connecting strip, as the sequence revealed in the picture, connect the slip frame and the bottom of the panel hangstrip with the connecting strip (Attention: The connecting strip has the differentiation from left and right), and tighten the screws.

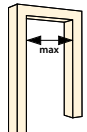
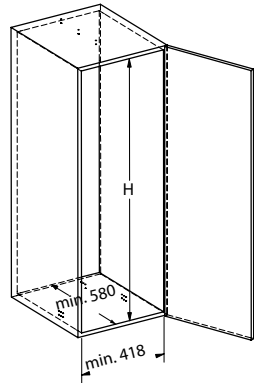


DIY Installation Guide

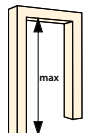
Tandem Larder Unit

Gelmar

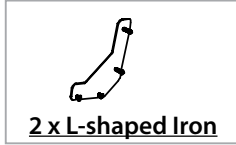
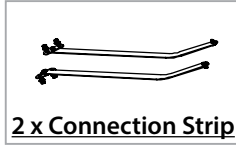
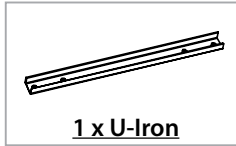
Tandem Larder Unit



Unit Size
450 / 500



Interior height
1750 - 2065



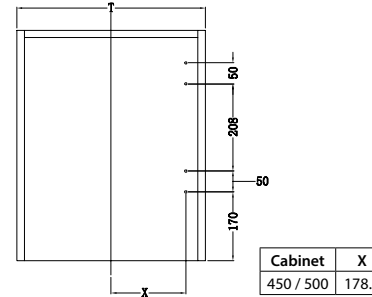
Code	Unit Size (U)	kg	Finish	Material
6297	450 / 500	100kg	CP	Steel

Installation

We recommend that you install a shelf at the top of your cabinet, creating more storage space and reducing the extension height of the L-shaped bracket

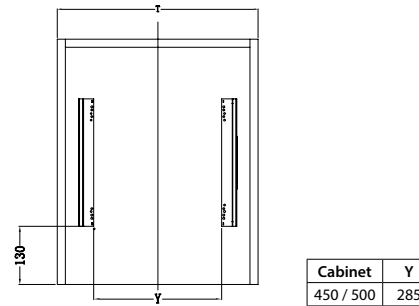
STEP 1

As the size revealed in the picture below, drill 4 small holes Ø2.5mm respectively on the top cabinet panel.



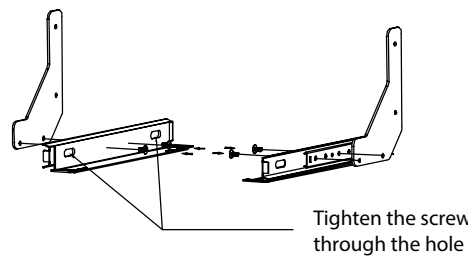
STEP 2

As the size revealed in the picture below, drill 12 small holes Ø2.5mm respectively on the bottom cabinet panel.



STEP 3

Install L-shaped iron.

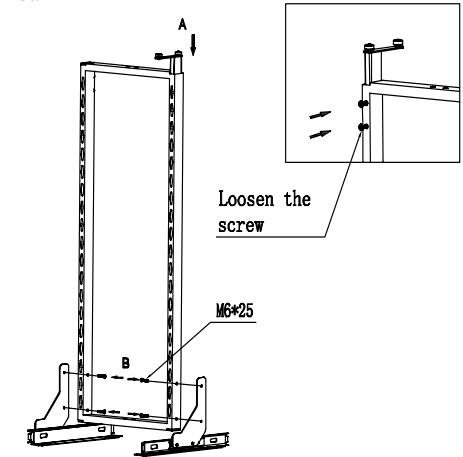


STEP 4

A: Screw the loaded screws out of the slip frame, attach L-shaped bracket with castors into the frame tube as illustrated in the picture and screw up the screws but it is not necessary to tighten them.

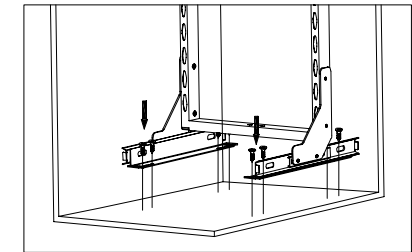
B: Fix the frame installed in step A to the L-shaped iron sheets with 4 screws M6x25.

The frame can be turned around to accommodate for a left or right opening cabinet.



STEP 5

Fix the runners onto the bottom frame panel with the 12pcs tapping screws ST3.5x16.



STEP 6

Fix the U-iron onto the cabinet top with 4 tapping screws ST3.5x16.

