

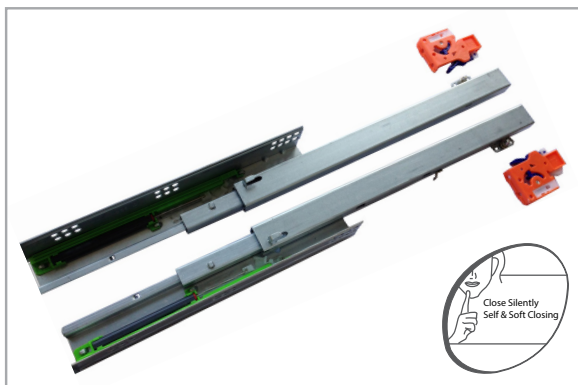
DIY Installation Guide

# Undermount Runner with Soft Close



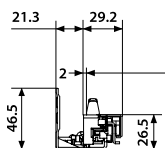
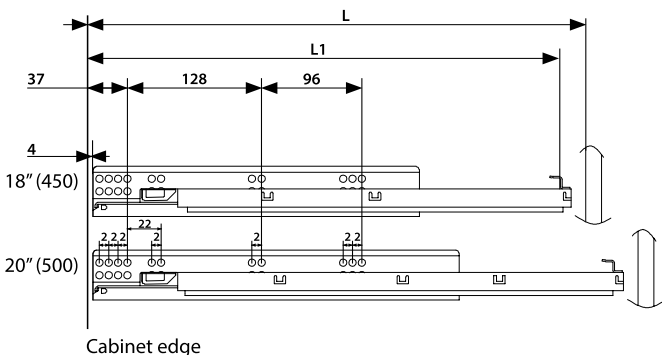
**Gelmar**

# Undermount Runner



- ¾ Extension, Self Closing
- Easy Installation
- Front bracket adjustment  $\pm 2\text{mm}$
- We recommend the use of 6x16 Undercut Screws

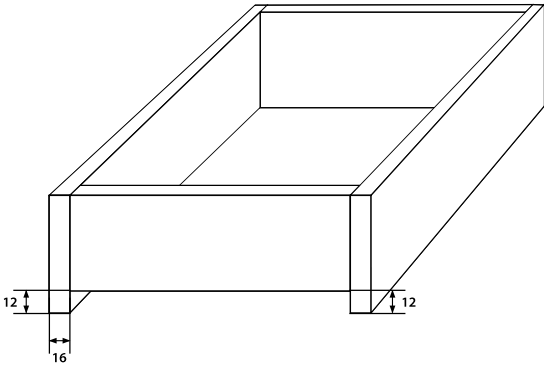
## Hole Pattern for Installation



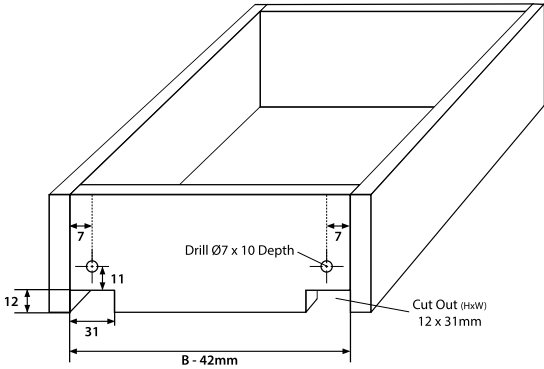
Item No.	Slide Length	Drawer Length	Pull-out Length	Min. Cabinet Depth
7060	457mm	450mm	435mm	472mm
7061	507mm	500mm	485mm	522mm

# Drawer Construction

## Drawer Front View

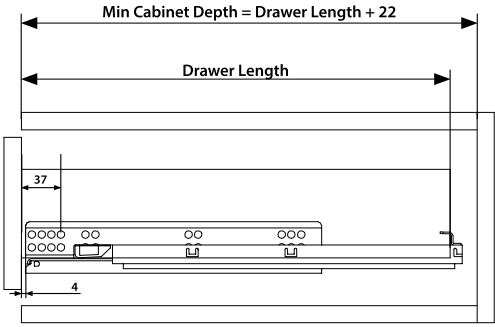


## Drawer Back View

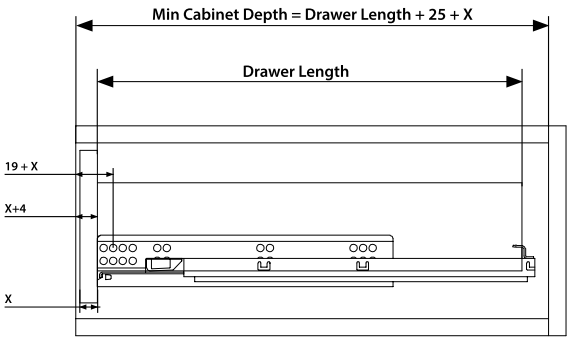


# Drawer Construction

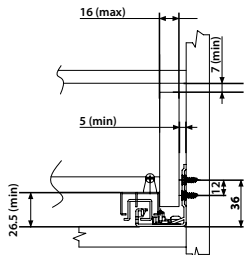
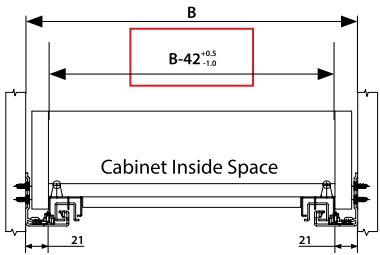
## Standard Drawer



## Inner Drawer



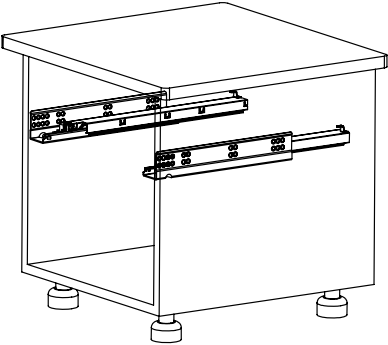
X = Drawer Front Thickness



# Installation

## Step 1:

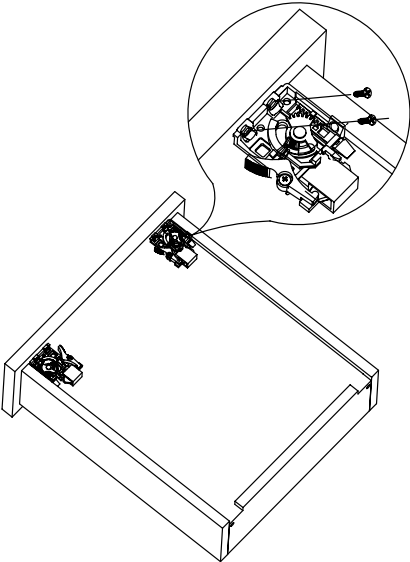
Assemble the left and right slide on both sides of cabinet



---

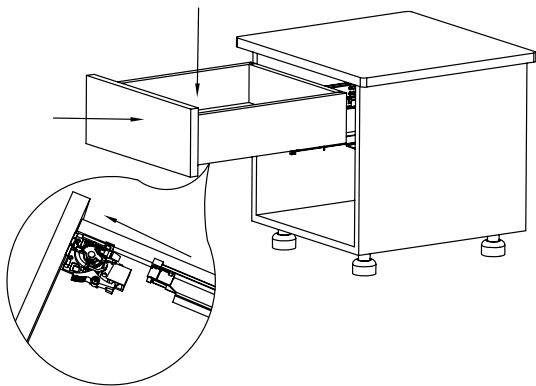
## Step 2:

Assemble the handle on the bottom cabinet



**Step 3:**

Lay drawer bottom onto the slide then push the drawer into the cabinet.



**Step 4:**

Push the drawer damping closed

